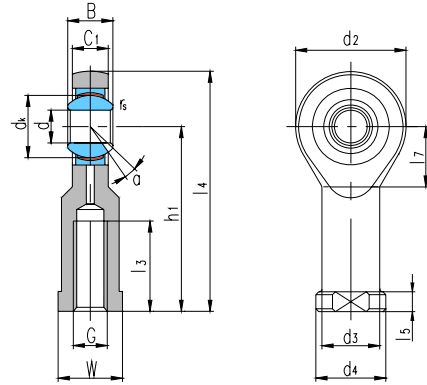




## Rod ends

Stainless Steel



Sliding contact surfaces: Steel / PTFE composite material

Bearing number	Dimensions mm																Load ratings kN		Weight ≈kg
	d	B	d <sub>K</sub>	C <sub>1</sub> max	d <sub>2</sub>	G 6H	h <sub>1</sub>	l <sub>3</sub> min	l <sub>4</sub>	l <sub>5</sub>	l <sub>7</sub>	W	d <sub>3</sub>	d <sub>4</sub>	r <sub>s</sub> min	α° ≈	Dynamic	Static	
SIJK5C/X	5	8	11.112	7.5	18	M5	27	8	36	4	10	10	9	12	0.3	4	3.6	4.6	0.016
SIJK6C/X	6	9	12.7	7.5	20	M6	30	9	40	5	11	10	10	13	0.3	9	4.7	5.2	0.022
SIJK8C/X	8	12	15.88	9.5	24	M8	36	12	48	5	13	13	12.5	16	0.3	12	7.6	8.2	0.047
SIJK10C/X	10	14	19.05	11.5	30	M10	43	15	58	6.5	16	16	15	19	0.6	10	12	15	0.088
SIJK12C/X	12	16	22.23	12.5	34	M12	50	18	67	6.5	18	18	17.5	22	0.6	12	14	19	0.14
SIJK14C/X	14	19	25.4	14.5	38	M14	57	21	76	8	20	21	20	25	0.6	14	19	24	0.20
SIJK16C/X	16	21	28.58	15.5	42	M16	64	24	85	8	21	24	22	27	0.6	14	23	29	0.25
SIJK18C/X	18	23	31.75	17.5	46	M18×1.5	71	27	94	10	22.5	27	25	31	0.6	13	29	34	0.35
SIJK20C/X	20	25	34.93	18.5	50	M20×1.5	77	30	102	10	25	30	27.5	34	0.6	14	34	40	0.43
SIJK22C/X	22	28	38.1	21	56	M22×1.5	84	33	112	12	27.5	34	30	37	0.6	14	42	50	0.61
SIJK25C/X	25	31	42.86	23	60	M24×2	94	36	124	12	28.5	36	33.5	42	0.6	14	52	57	0.81
SIJK28C/X	28	35	47.63	26	66	M27×2	103	41	136	14	31.5	41	37	46	0.6	14	66	69	1.2
SIJK30C/X	30	37	50.8	27	70	M30×2	110	45	145	15	33	46	40	50	0.6	15	73	77	1.4

For left-hand thread, suffix "L" is added to bearings number and thread sign, e.g. SILJK20C/X M20×1.5L-6H.

Bore diameter  $d \leq \phi 16$ , inner ring is made of 9Cr18 (DIN 1.4125, AISI 440, SUS 440C)

Housing is made of 0Cr18Ni19 (DIN 1.4301, AISI 340, SUS 304)

Bore diameter  $d > \phi 16$ , inner ring is made of 4Cr13.

Rod end is made of 2Cr13.