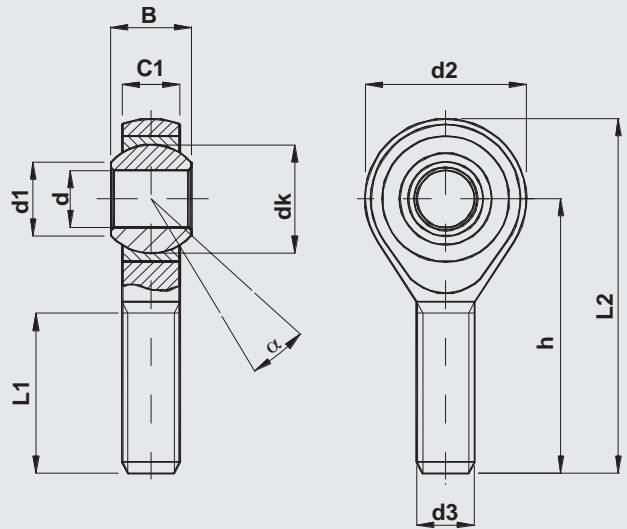


**CMX**

**DIN ISO 12240 - 4 Serie K male thread**

Coupling: AISI 420 / bronze self-lubricating



**Body:**  
 stainless steel AISI 304  
**Outer race:**  
 sintered bronze, self-lubricating impregnated with oil  
**Ball:**  
 stainless steel AISI 420

**STAINLESS  
 STEEL**

Designation	d	d3	B	C1	d1	d2	dk	h	L1	L2	max radial load Co.(daN)	$\alpha^\circ$ angle $\approx$	weight $\approx$ (kg)
	H7	6g											
CMX6 M6	6	M6	9	6,75	8,9	20	12,7	36	21	46	400	13	0,021
CMX8 M8	8	M8	12	9	10,4	24	15,87	42	25	54	800	14	0,04
CMX10 M10	10	M10	14	10,5	12,9	28	19,05	48	28	62	1300	13	0,064
CMX12 M12	12	M12	16	12	15,4	32	22,22	54	32	70	1700	13	0,097
CMX14 M14	14	M14	19	13,5	16,8	36	25,4	60	36	78	3600	15	0,13
CMX16 M16	16	M16	21	15	19,3	42	28,57	66	37	87	4800	15	0,208
CMX20 M20	20	M20	25	18	24,3	50	34,92	78	45	103	5200	14	0,367
CMX20 M20x1,5	20	M20x1,5	25	18	24,3	50	34,92	78	45	103	5200	14	0,367

For left-hand thread add L (example CMXL20 M20x1,5)  
 Technical reading from page 1 to page 7

**NEW**